

ICOM

INSTRUCTION MANUAL

**VHF MARINE TRANSCEIVER
(U.S.A. version)**

IC-M126DSC



Icom Inc.

IN CASE OF EMERGENCY

If your vessel requires assistance, contact other vessels and the Coast Guard by sending a distress call using digital selective calling on channel 70.

◇ USING DIGITAL SELECTIVE CALLING (ch 70)

DISTRESS CALL PROCEDURE

1. Push and hold [EMER] for 5 secs until "dST" appears on the display.
2. After channel 16 is automatically selected, transmit the appropriate information as at right.
3. When you cannot make contact using a DSC distress call, use the "all ships call" function:

Push [F], then push and hold [CH16•DSC] for 5 secs.

- After a channel is automatically selected, transmit the appropriate information as in step 2.

Or, transmit your distress call by voice on channel 16.

◇ USING CHANNEL 16

DISTRESS CALL PROCEDURE

1. "MAYDAY MAYDAY MAYDAY"
2. "THIS IS -----" (name of vessel)
3. "LOCATED AT-----" (your position)
4. Give the reason for the distress call.
5. Explain what assistance you need.
6. Give additional information:
 - Vessel type
 - Vessel length
 - Vessel color

TABLE OF CONTENTS

IN CASE OF EMERGENCY	i
TABLE OF CONTENTS	ii
IMPORTANT	iii
EXPLICIT DEFINITIONS	iii
CAUTIONS	iii
1 OPERATING RULES	1
2 PANEL DESCRIPTION	2-5
■ Front panel	2
■ Function display	4
3 BASIC OPERATION	6-9
■ Channel selection	6
■ Receiving	8
■ Transmitting	8
4 SCANS	10-13
■ General	10
■ Weather alert	12
■ Dualwatch/tri-watch	13
5 DIGITAL SELECTIVE CALLING	14-19
■ General	14
■ Distress call (without UX-112)	15
■ Distress call (with UX-112)	16
■ All ships call (TX)	17
■ All ships call (RX) (UX-112 required)	18
■ Sensor distress call (TX)	19
■ Individual call (RX) (UX-112 required)	19
■ Distress call (RX) (UX-112 required)	19
■ Distress relay call (RX) (UX-112 required)	19
6 MEMORY AND CALL CHANNEL PROGRAMMING	20
■ Memory channels	20
■ Call channel	20
7 OTHER FUNCTIONS	21-25
■ Hailer operation	21
■ Intercom operation	22
■ Automatic fog horn	24
■ Internal speaker ON/OFF	25
■ Backlight intensity	25
8 SET MODE	26-30
■ Entering SET mode	26
9 CONNECTIONS AND MAINTENANCE	31-37
■ Unpacking	31
■ Additional requirements	31
■ Connections	32
■ Mounting the transceiver	36
■ Antenna	36
■ Resetting the CPU	37
■ Cleaning	37
■ Fuse replacement	37
■ Backup battery	37
10 OPTIONAL UNIT INSTALLATIONS	38-39
■ Removing/replacing the case	38
■ UX-112 (DSC DECODER UNIT)	38
■ UT-74/UX-110 (VOICE SCRAMBLER UNITS)	39
■ UX-95 (RELAY INTERFACE UNIT)	39
11 TROUBLESHOOTING	40
12 VHF MARINE CHANNEL LIST	41
13 SPECIFICATIONS	42
14 OPTIONS	43

IMPORTANT

READ ALL INSTRUCTIONS carefully and completely before using the transceiver.

SAVE THIS INSTRUCTION MANUAL – This instruction manual contains important safety and operating instructions for the IC-M126DSC.

YOU MUST HAVE a DSC vessel ID in order to operate the DSC functions of the transceiver. See your Dealer for details.

EXPLICIT DEFINITIONS

The following explicit definitions apply to this instruction manual.

WORD	DEFINITION
CAUTION	Equipment damage may occur.
NOTE	If disregarded, inconvenience only. No risk of personal injury, fire or electric shock.

CAUTIONS

NEVER connect the transceiver to more than a 16 V DC power source or an AC outlet. This will ruin the transceiver.

AVOID using or placing the transceiver in direct sunlight or in areas with temperatures below -20°C (-4°F) or over $+60^{\circ}\text{C}$ ($+140^{\circ}\text{F}$).

KEEP the transceiver out of the reach of children.

KEEP the antenna cable and DC power cable as far away as possible from electrical pumps, generators and other electronic instruments to prevent instrument malfunctions.

KEEP the transceiver and microphone at least 1 meter away from your vessel's magnetic navigation compass.

BE CAREFUL! The heatsink will become hot when transmitting continuously for long periods.

DO NOT use any thing other than your fingertips to push the front panel switches, as the switches could be damaged.

• PRIORITIES

- 1) Read all rules and regulations pertaining to priorities and keep an up-to-date copy handy. Safety and distress calls take priority over all others.
- 2) You must monitor channel 16 when you are not operating on another channel.
- 3) False or fraudulent distress calls are prohibited under law.

• PRIVACY

- 1) Information overheard but not intended for you cannot lawfully be used in any way.
- 2) Indecent or profane language is prohibited.

• RADIO LICENSES

(1) SHIP STATION LICENSE

When your craft is equipped with a VHF FM transceiver, you must have a current radio station license before using the transceiver. It is unlawful to operate a ship station which is not licensed.

Inquire through your dealer or the appropriate government agency for a Ship-Radiotelephone license. This license includes the call sign which is your craft's identification for radio purposes.

(2) OPERATOR'S LICENSE

A Restricted Radiotelephone Operator Permit is the license most often held by small vessel radio operators when a radio is not required for safety purposes. You can usually obtain this permit by mail.

The Restricted Radiotelephone Operator Permit must be posted near the transceiver or be kept with the operator. Only a licensed radio operator may operate a transceiver.

However, non-licensed individuals may talk over a transceiver if a licensed operator starts, supervises, ends the call and makes the necessary log entries.

A current copy of the applicable government rules and regulations is only required to be on hand for vessels in which a radiotelephone is compulsory. However, even if you are not required to have these on hand it is your responsibility to be thoroughly acquainted with all pertinent rules and regulations.

Front panel

WEATHER CHANNEL SWITCH [WX•WX ALERT]

Selects weather channels. (p. 7)

Activates weather alert as the secondary function. (p. 12)

DUAL/TRI-WATCH SWITCH [DUAL•SCAN]

Activates dual or tri-watch. (p.13)

Activates a scan as the secondary function. (p. 11)

HAILER/INTERCOM SWITCH [HL/IC•A.FOG]

Toggles between the hailer and intercom function. (p. 21)

Activates the auto fog horn as the secondary function.
(p. 25)

FUNCTION SWITCH [F]

Activates the secondary function of switches.

Push other switches within 5 secs. of pushing [F].

HIGH/LOW POWER SWITCH [HI/LO•LOCK OUT]

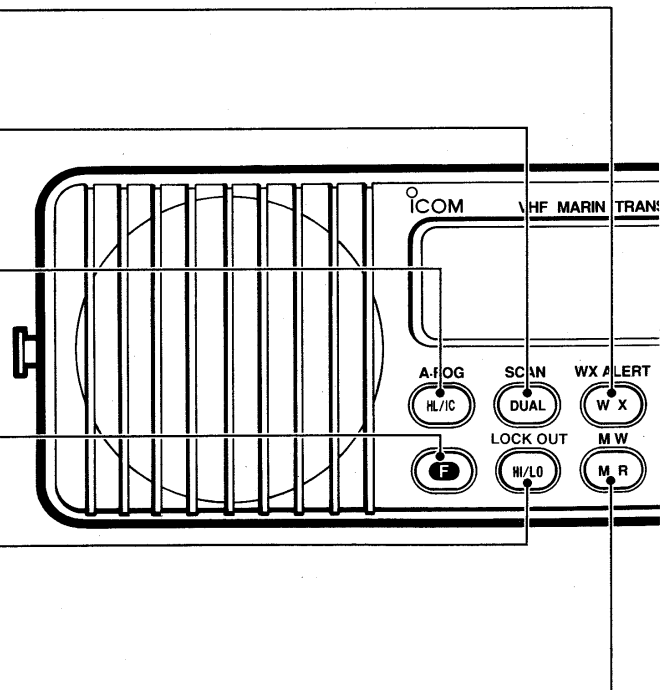
Toggles between high and low output powers. (p. 8)

Locks out the selected channel as the secondary function.
(p. 11)

MEMORY CHANNEL SWITCH [MR•MW]

Selects memory channels. (p. 7)

Programs channels into memory as the secondary function.
(p. 20)



INT/USA CHANNEL SWITCH [INT/USA•SCRM]

Toggles between international and USA channels. (p. 6)
 Activates an optional voice scrambler unit as the secondary function. (p. 8)

SQUELCH CONTROL [SQUELCH]

Rotate clockwise to eliminate audio noise. (p. 8)
 Activates built-in attenuator when rotated deep clockwise.

VOLUME CONTROL [VOLUME](PWR PUSH-ON)

Push to turn power ON and OFF. (p. 8)
 Rotate to adjust the audio output level. (p. 8)

EMERGENCY SWITCH [EMER]

Selects channel 70 instantly; transmits a distress call when pushed and held for 5 secs. (p. 15)

CHANNEL SELECTOR [CHANNEL]

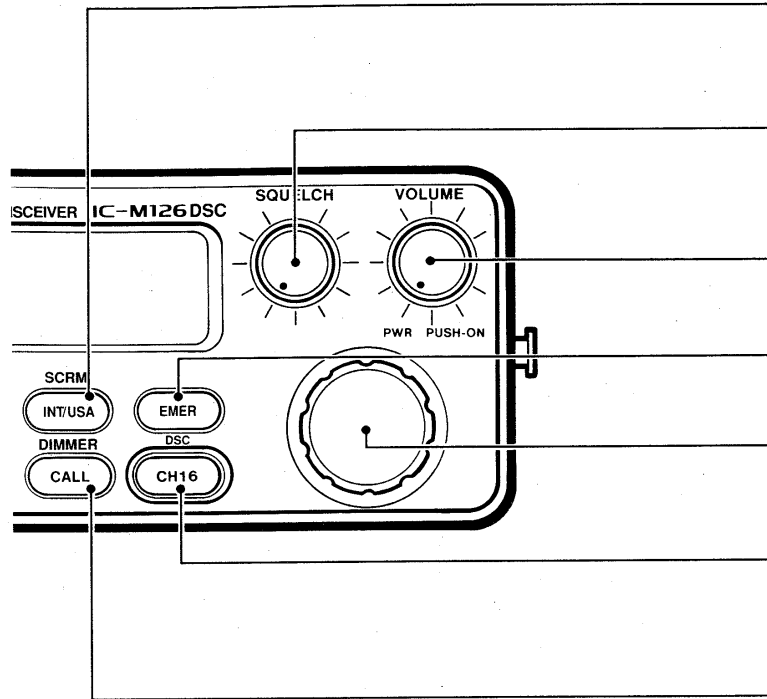
Selects an operating channel. (pgs. 6-7)

CHANNEL 16 SWITCH [CH16•DSC]

Selects the channel 16 mode. (p. 6)
 Sends an "all ships call" as the secondary function. (p. 17)

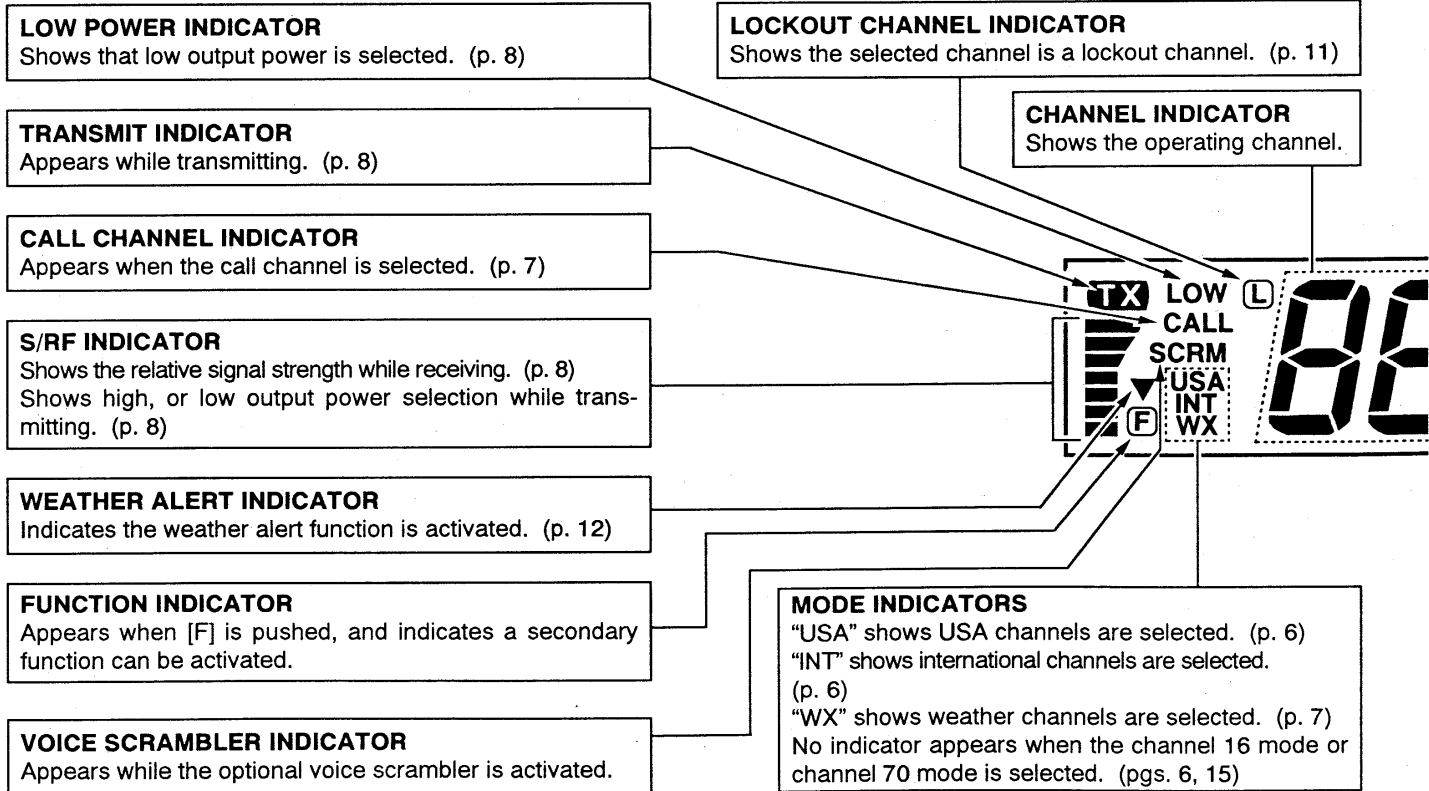
CALL CHANNEL SWITCH [CALL•DIMMER]

Selects the call channel. (p. 7)
 Adjusts the display and control/switch backlighting intensity as the secondary function. (p. 25)



2 PANEL DESCRIPTION

■ Function display



DUPLEX INDICATOR

Shows the selected channel is a duplex channel.

DUAL/TRI-WATCH INDICATORS

Blink while dual/tri-watch is activated. (p. 13)
 "DUAL" blinks during dualwatch.
 "DUAL" and "▼" blink during tri-watch.

DSC INDICATORS

"REL" appears when a distress relay call is received. (p. 19)
 "ACK" appears when acknowledgement is received in response to a distress call. (p. 16)
 "RCV" appears to indicate reception of a DSC signal. (pgs. 18-19)

MEMORY INDICATOR

Appears while in memory mode. (p. 7)

AUTO FOG HORN INDICATORS

Show the auto fog horn function is activated. The number of indicators shows the selected fog horn type. (p. 24)

NMEA INDICATOR

Appears when NMEA devices are connected. (p. 35)

MEMORY NUMBER INDICATOR

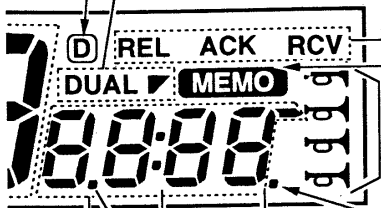
Shows the selected memory number. (p. 7)
 "b" is indicated when the connected battery capacity is exhausted.

SCAN INDICATOR

Blinks while a scan is activated. (p. 11)

TIME/DISTRESS INDICATORS

Indicate the time. (p. 28)
 "dST" or "ALL" appear for some of the DSC function operations. (pgs. 14-19)

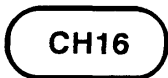


Channel selection

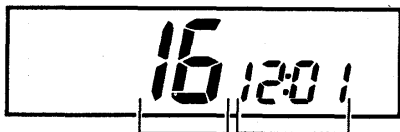
◇ CHANNEL 16

Channel 16 is the distress and calling channel. It is used for establishing initial contact with another station and for emergency communications. While standing by you are required to monitor channel 16.

Push



[CHANNEL] is deactivated.



Only "16" appears when [CH16] is pushed.

Local time appears when an optional UX-112 is installed.

◇ USA CHANNELS

There are 58 USA channels. Establish initial contact on channel 16, then move to an agreed upon channel for communications. Some channels can only transmit at low power (see the channel list, p. 41).

Push



once or twice,

then rotate [CHANNEL] to select a channel.



Indicates that a channel in the U.S.A. channel group is selected.

◇ INTERNATIONAL CHANNELS

There are 85 international channels. As with the USA channels, establish initial contact on channel 16, then move to an agreed upon channel for communications. Some channels can only transmit at low power (see the channel list, p. 41)

Push



once or twice,

then, rotate [CHANNEL] to select a channel.



Indicates that a channel in the international channel group is selected.

◇ WEATHER CHANNELS

In North American waters, there are 10 NOAA weather channels which broadcast local weather forecasts and issue weather advisories. These channels are for receive ONLY.

Push



then, rotate [CHANNEL] to select a channel.



Indicates that a weather channel is selected.

◇ CALL CHANNEL

The call channel is used to store your most often-used channel for quick recall. In addition, the call channel is monitored during tri-watch. The default for the call channel is channel 9 (the non-commercial calling channel).

Push



Indicates that the call channel is selected.

◇ MEMORY CHANNELS

24 memory channels are used to store often-used channels for easy recall and scanning. After resetting the CPU (p. 37) only memory channel 0 is programmed.

Push



then, rotate [CHANNEL] to select a memory channel.



Indicates that a memory channel is selected.

3 BASIC OPERATION

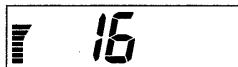
■ Receiving

- ① Push [VOLUME] to turn power ON.
- ② Rotate [SQUELCH] fully counterclockwise.
- ③ Adjust [VOLUME] to a suitable listening level.
- ④ Rotate [SQUELCH] clockwise until the audio noise disappears.
- ⑤ Select the desired channel. See pgs. 6–7 for details.

NOTE: When speaker OFF is selected in SET mode, the front panel speaker is disengaged.

• When a signal is received:

- The squelch opens.
- Audio is emitted from the speaker.
- The S/R/F indicator shows relative signal strength.



◇ RECEIVING A SCRAMBLED SIGNAL

In order to understand scrambled signals, an optional UT-74 or UX-110 must be installed (see pgs. 38–39).

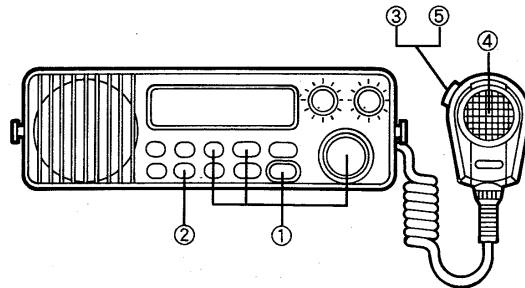
Push [F], then [INT/USA•SCRM] to turn the voice scrambler ON.

- "SCRM" appears in the display.
- See p. 27 for details on setting a scramble code.
- Repeat the above step to turn the function OFF.

■ Transmitting

Before transmitting a signal, read call procedures on p. 9.

- ① Select an operating channel. See p. 6–7 for details.
- ② Push [HI/LO] to select transmit output power.
 - "LOW" appears when low output power is selected.
 - Transmission is restricted on some channels. See p. 9.
 - For privacy activate the optional voice scrambler function (see left below) and set a scramble code (p. 27).
- ③ Push and hold the PTT switch to transmit.
 - "TX" and the RF indicator appear.
- ④ Speak into the microphone at your normal voice level.
 - Do not hold the microphone too closely to your mouth or speak too loudly. This may distort the transmit signal.
- ⑤ Release the PTT switch to receive.



CALL PROCEDURES

You must identify yourself when you transmit and you must respect time limits.

- 1) Give your call sign each time you call another vessel or a coast station. If you have no call sign, identify the station by giving the vessel name and the name of the license.
- 2) Give your call sign at the end of each transmission that lasts more than 3 minutes.
- 3) You must pause and give your call sign at least once every 15 minutes during long ship-to-shore calls.
- 4) Keep your calls short (less than 30 sec.). Wait 2 minutes before repeating a call.
- 5) Unnecessary transmissions are not allowed.

CAUTION: When “**TX**” blinks during transmission at high output power, there is an antenna problem. Stop the transmission immediately; then, check the following:

TRANSMITTER RESTRICTIONS

CHANNEL NUMBER	U.S.A. CHANNELS	INTERNATIONAL CHANNELS
13	Momentary high power*	No restriction
15	Receive only	Low power only
17	Low power only	
67	Momentary high power*	No restriction
70	Low power only (no voice)	
Weather channels	Receive only	

***Momentary high power**

On these channels, transmissions using high power are momentarily possible. To transmit using high power, push and hold [HI/LO] and [PTT].

TIME-OUT TIMER (TOT)

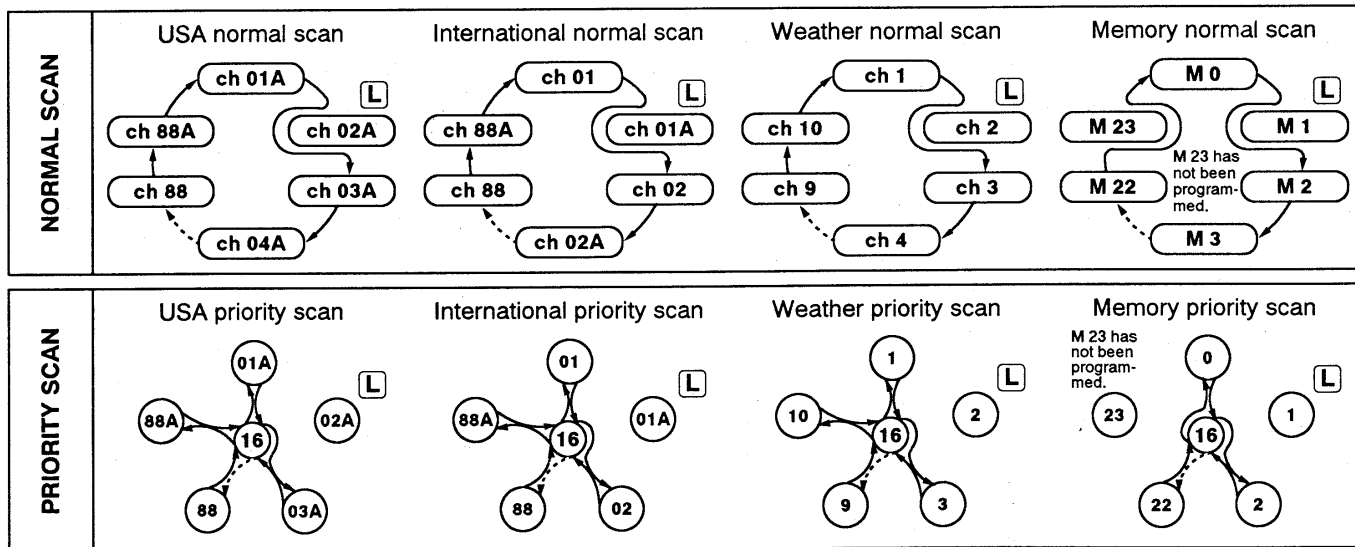
The transceiver has a TOT to prevent continuous, long transmissions. The transceiver automatically returns to receive when you transmit for more than 3 min. continuously.

- Is an antenna connected?
- Is the antenna connector properly tightened?
- Is the cable between the antenna and the transceiver free of cuts or shorts?
- Is the antenna correctly installed?
- Is the antenna free from bends or cuts?

General

The IC-M126DSC has normal and priority scans (selectable in SET mode) for each group of channels. In addition, lockout channels can be set for any of these scans.

8 different scans (with or without lockout channels) are possible with the transceiver as follows:



“L” shows that the channel is a lockout channel.

• Transmitting (pushing PTT) cancels the scan.

• Normal scan pauses on a signal until it disappears.

• Priority scan becomes dual watch while receiving a signal and pauses for any signals on channel 16.

• SCAN START/STOP

Select normal or priority scan in SET mode, then:

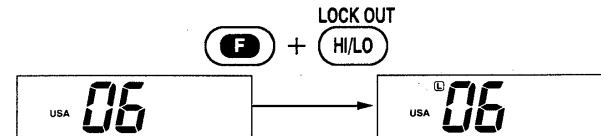
- ① Select the desired channel group.
 - To select U.S.A. or international channels, push [INT/USA] once or twice.
 - To select weather channels, push [WX].
 - To select memory channels, push [MR].
- ② Lock out or unlock channels depending on your preference. (See below.)
- ③ Rotate [SQUELCH] clockwise until the audio noise disappears.

- ④ Push [F]; then, push [DUAL•SCAN] to start the scan.
 - The scan indicator (a dot) blinks while scanning.
- ⑤ When a signal is received, scan pauses until it disappears.
 - When priority watch is selected in SET mode, dualwatch starts.
- ⑥ Push [F] twice to stop the scan and remain in the same channel group.
 - Push [CH16] to stop the scan and select channel 16.
 - Transmitting (pushing [PTT]) also stops the scan.

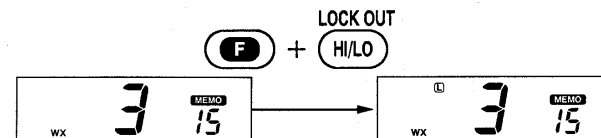
PROGRAMMING A LOCKOUT CHANNEL

- ① Select the desired channel group.
- ② Select the channel to be locked out using the channel selector.
- ③ Push [F]; then, push [HI/LO•LOCK OUT] to lockout the channel.
 - "L" appears.
- ④ To cancel the lockout, repeat step ③.
 - "L" disappears.

[EXAMPLE]: Locking out USA channel 06.



[EXAMPLE]: Locking out memory 15.

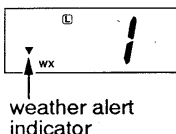


Weather alert

When the IC-M126DSC catches a weather alert tone on a weather channel while scanning, the transceiver sounds an alert beep to indicate that an emergency weather report is on the air.

• TURNING THE FUNCTION ON AND OFF

- ① Push [F].
 - “**F**” appears.
- ② Push [WX•WX ALERT] to turn the function ON.
 - “**▼**”(weather alert indicator) appears.
- ③ To turn the function OFF, repeat steps ① and ②.
 - “**▼**” disappears.



The weather alert function is available only while scanning channels which include weather channels. The weather alert does not function while scanning non-weather channels, even when “**▼**” appears.

What is the weather alert tone?

The NOAA weather radio broadcasts are continuous, pre-recorded broadcasts. In case of a local weather emergency, the broadcast becomes live. Before this live broadcast, a warning tone (1050 Hz) is transmitted.

• ACTIVATING THE FUNCTION

- ① Turn the weather alert function ON.
 - See left for details.
- ② Push [WX] to select weather channels, then, push [F] and [DUAL•SCAN] to start weather scan.
 - Memory scans can also be used. See CONVENIENT below.
- ③ When the transceiver catches an alert tone on a weather channel, a 1 sec. beep sounds and the scan automatically stops on the channel to receive the emergency weather report.
- ④ To cancel the scan manually, push [F] twice.

NOTE: While scanning on the weather channels with the weather alert function ON, the scan does not pause for normal signals (except for signals on ch 16 during priority scan).

CONVENIENT

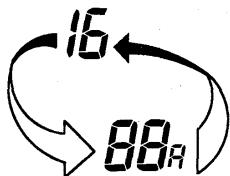
If weather channels have been programmed into memory channels, use a memory scan with the weather function ON. The scan pauses for signals on USA or international channels and stops with a beep for an alert tone on weather channels.

Dualwatch/tri-watch

Dualwatch monitors ch 16 while you are receiving another channel; tri-watch monitors ch 16 and the call channel while receiving another channel. Select dual watch or tri-watch in advance using SET mode (see p. 27).

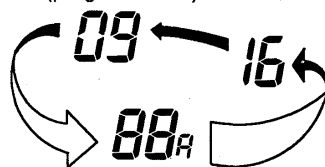
DUALWATCH/TRI-WATCH SIMULATION

Dualwatch



Tri-watch

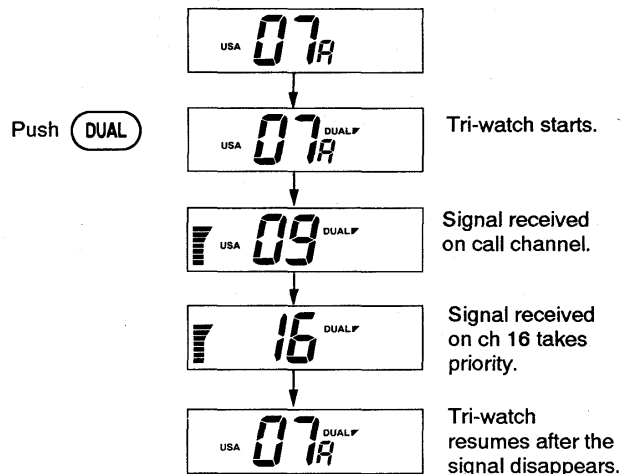
Call channel
(programmable)



- If a signal is received on channel 16, dualwatch/tri-watch pauses on channel 16 until the signal disappears.
- If a signal is received on the call channel during tri-watch, tri-watch becomes dualwatch until the signal disappears.
- To transmit on the selected channel during dualwatch/tri-watch, push and hold [PTT].

- ① Select the desired operating channel.
- ② Push [DUAL] to start dualwatch/tri-watch.
 - "DUAL" blinks during dualwatch; "DUAL ▾" blink during tri-watch.
 - Tri-watch becomes dualwatch when receiving a signal on the call channel.
- ③ To cancel dualwatch/tri-watch, push [DUAL] again.
 - "DUAL" or "DUAL ▾" disappears.

[EXAMPLE]: Operating tri-watch on USA channel 07A.



General

Digital Selective Calling (or DSC) is a method of radio communications involving digital signals rather than the more conventional method of voice communications. The advantage of using digital communications over voice communications is that information (especially useful for distress calls and other urgent matters) can be pre-programmed into a radio and transmitted quickly and accurately. For example, at the push of a switch, a vessel's identity, position (latitude and longitude) and the time, etc. can be transmitted. Because of the digital nature of the communications, future implementations of DSC could involve much more detailed information transmission.

The IC-M126DSC comes standard with DSC Class C capability. This means that the transceiver can transmit a distress call, containing your vessel's DSC ID and position (when NMEA navigation equipment is connected) using DSC signalling on channel 70.

With the installation of an optional UX-112 DSC DECODER UNIT, the IC-M126DSC meets U.S. Coast Guard proposal SC-101, and can receive DSC signals in addition to other functions. The table at right illustrates the differences between the IC-M126DSC's capabilities with and without the optional UX-112.

DSC FUNCTION	STANDARD	WITH UX-112
Distress call (Tx)	●	●
vessel ID	●	●
position*	●*	●*
time	—	●
All ships call (Tx)	●	●
Sensor distress call (Tx)†	●	●
Distress call (Rx)	—	●
Distress call acknowledgement (Rx)	—	●
All ships call relay (Rx)	—	●
All ships call (Rx)	—	●
Individual call (Rx)	—	●

● = Yes

— = No

*When NMEA equipment is connected. See pgs. 32, 33, 35.

†When sensors (eg. for fire, water, etc.) are connected. See pgs. 32, 35.

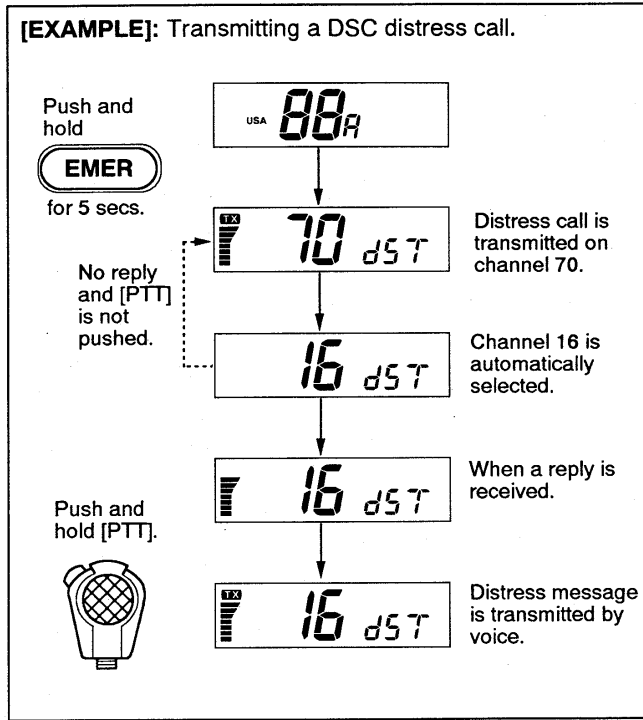
Distress call (without UX-112)

In a distress situation, use the transceiver's built-in DSC capability to transmit a digital distress call on channel 70 to a shore station.

- ① Push and hold [EMER] for 5 secs.
 - The transceiver automatically selects channel 70 and an alert beep sounds 5 times.
 - After 5 secs. have elapsed, the transmit indicator briefly appears to indicate that your signal is being transmitted and, "dST" appears.
- ② Release [EMER].
 - Channel 16 is automatically selected.
- ③ Wait for a reply on channel 16.
- ④ While pushing [PTT], transmit your distress message to the responding party.
 - When [PTT] or [CH16] is not pushed within 3.5 mins. of sending a DSC distress call, channel 70 is automatically selected and your DSC signal is retransmitted.

NOTE: When a navigation receiver with NMEA0183 output capability is connected, your vessel's position is automatically transmitted with your DSC distress signal. See p. 35 for connection details.

◇ To remove "dST" from the function display, turn power OFF, then ON again.



5 DIGITAL SELECTIVE CALLING

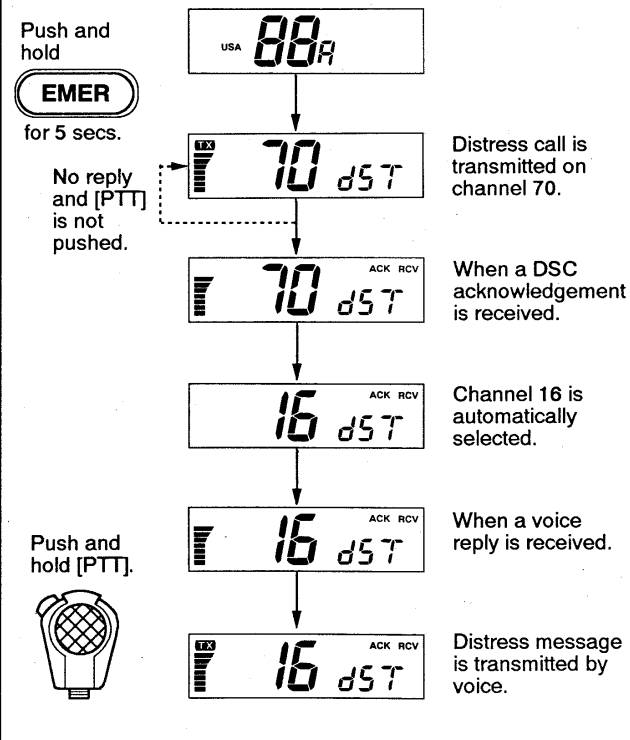
■ Distress call (with UX-112)

When transmitting a DSC distress call to a shore station with an optional UX-112 installed, the IC-M126DSC reacts in the following manner.

- ① Push and hold [EMER] for 5 secs.
 - The transceiver automatically selects channel 70, the time is displayed, an alert beep sounds 5 times and any connected external alarm devices are activated.
- ② Release [EMER].
 - When a shore station (or another vessel with DSC encoding/decoding capability) receives your distress call, an acknowledgement is transmitted back to you and "ACK" and "RCV" appear momentarily. After that, the transceiver automatically selects channel 16.
 - If no acknowledgement is received after 25 secs., the transceiver automatically selects channel 16.
- ③ Wait for a voice reply on channel 16.
- ④ While pushing [PTT], transmit your distress message to the responding party.
 - When [PTT] or [CH16] is not pushed within 3.5 mins. of sending a DSC distress call, and no "ACK" is received, ch 70 is automatically selected and your DSC signal is retransmitted.

◇ To remove "dST" from the function display, turn power OFF, then ON again.

[EXAMPLE]: Transmitting a DSC distress call.

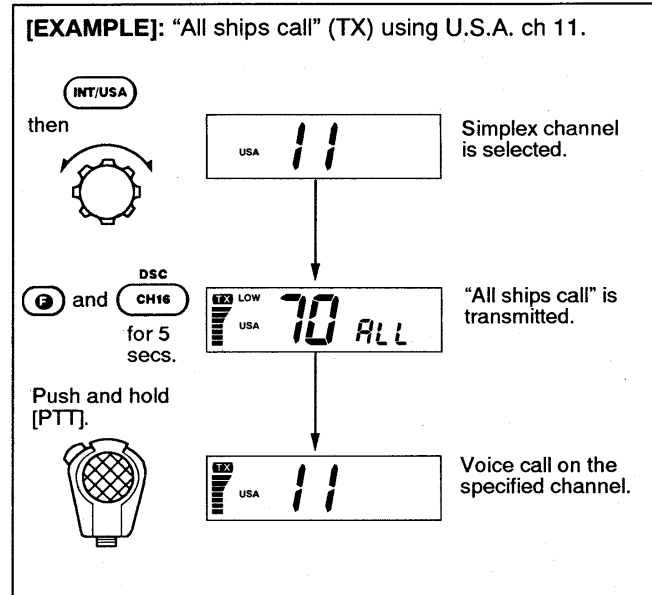


■ All ships call (TX)

Large ships use channel 70 as their “listening channel.” When you want to contact one of these ships, use the “all ships call” function.

- ① Select a simplex channel to communicate on.
 - Some ‘A’ channels (eg. channel 88A) cannot be used.
- ② Rotate [SQUELCH] clockwise until the audio noise disappears.
- ③ Push [F], then push and hold [CH16•DSC] for 5 secs.
 - Channel 70 is automatically selected, “ALL” appears on the display and the channel data you selected in ① is transmitted at low power.
 - When channel 70 is busy, the transceiver waits until the channel clears, and then sends the “all ships call”; when you want to cancel the function, push any key.
 - After transmission, the previous channel is selected.
- ④ Push and hold [PTT] to communicate your message to the responding party.

NOTE: An “all ships call,” after transmitting a distress call, includes emergency data. In this case, the “all ships call” acts as a distress call and alerts other vessels to your situation.



5 DIGITAL SELECTIVE CALLING

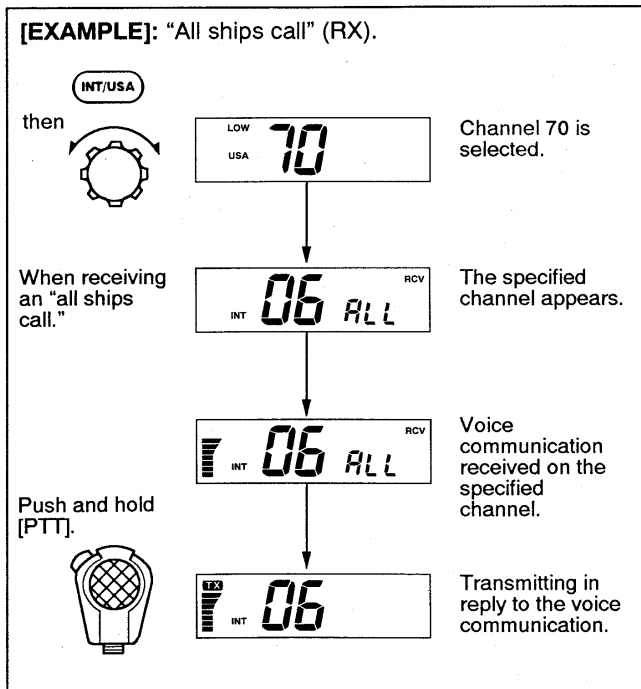
■ All ships call (RX)

UX-112
required

When an optional UX-112 is installed, the IC-M126DSC is able to receive an “all ships call” transmission. However, to do so, channel 70 must be monitored.

- ① Select channel 70.
- ② When receiving an “all ships call,” a specified channel and “ALL”/“RCV” appear on the function display.
 - The transceiver automatically selects the specified channel.
- ③ Wait for a voice call on the specified channel.
- ④ If you are contacted by voice, push [PTT] to reply.
 - “RCV” and “ALL” disappear.
 - Some other switches also remove “RCV” and “ALL” from the display.

NOTE: When receiving an “all ships call” from a vessel that has previously transmitted a DSC distress call, emergency beep alerts sound.



■ Sensor distress call (TX)

When sensors are connected (see p. 35), the IC-M126DSC will alert you to abnormal conditions eg. fire, water ingress, etc.

When a sensor detects an abnormal condition, the transceiver emits alert beeps for 25 secs. After 30 secs. have elapsed, a DSC distress call is transmitted on channel 70. See pgs. 15–16 for DSC distress call details.

- When connected, external alarm devices are activated.

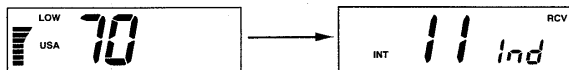
■ Individual call (RX)

UX-112
required

The IC-M126DSC is capable of receiving DSC signals addressed to your vessel's DSC ID, while you are monitoring channel 70.

◇ "RCV" and "Ind" appear.

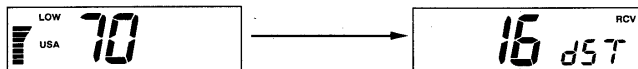
- The transceiver automatically sends an acknowledgement and selects the specified channel.



■ Distress call (RX)

UX-112
required

When the UX-112 is installed and you are monitoring channel 70, the IC-M126DSC can receive DSC distress calls sent from shore (or ship) stations.

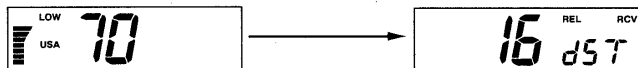


- When receiving a DSC distress call, emergency beep alerts sound.

■ Distress relay call (RX)

UX-112
required

When the UX-112 is installed and you are monitoring channel 70, the IC-M126DSC can receive DSC distress relay calls which have been relayed through a shore (or ship) station. In this case, the following display appears briefly before channel 16 is automatically selected.

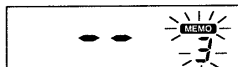
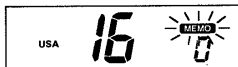


- When receiving a DSC distress relay call, emergency beep alerts sound.

Memory channels

◇ To program:

- ① Push [F] + [MR•MW].
 - "MEMO" blinks.
 - [MR•MW] must be pushed within 5 secs. of pushing [F].
- ② Rotate the channel selector to select the desired memory.
- ③ Select channel group (U.S.A., international, weather). (See pgs. 6-7)
 - The channel number blinks.
- ④ Rotate the channel selector to select the channel you wish to program.
- ⑤ Push [MR] to complete the programming.
 - Memory mode is automatically selected.
- ⑥ To program additional memories, repeat from step ①.

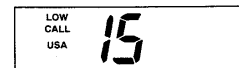
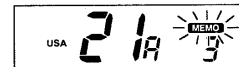


NOTE: Output power can be programmed in a memory. Push [HI/LO] while the channel number blinks to program.

Call channel

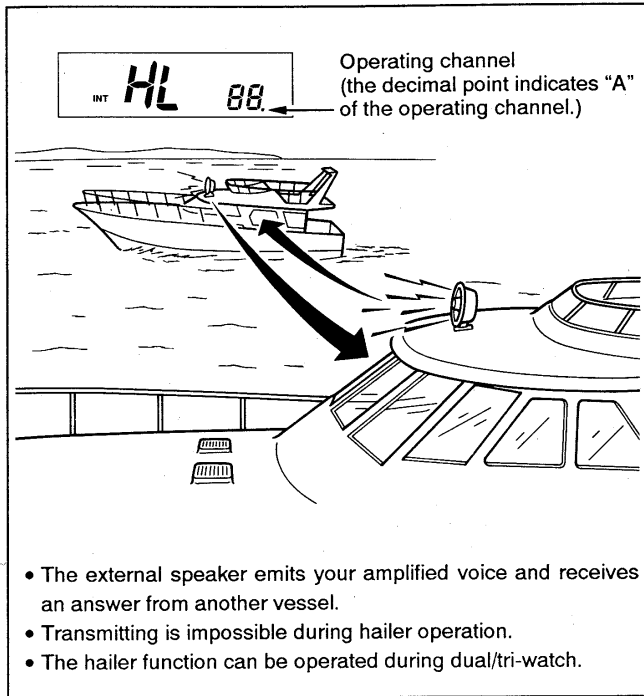
◇ To program:

- ① Push [F] + [MR] (the same as memory programming step ①).
- ② Rotate the channel selector to select the call channel.
 - "C" appears in the display.
 - The call channel appears between memory channels 0 and 24.
- ③ Push [INT/USA] once or twice to select international or USA channels; push [WX] to select weather channels.
 - The channel number blinks.
- ④ Rotate the channel selector to select the channel you wish to program.
- ⑤ Push [MR] to complete the programming and select the call channel.



■ Hailer operation

The IC-M126DSC has a 2-way hailer function for voice amplification and reception over the loudspeaker, making it unnecessary to leave the bridge to hear a hailing party.



• PREPARATION

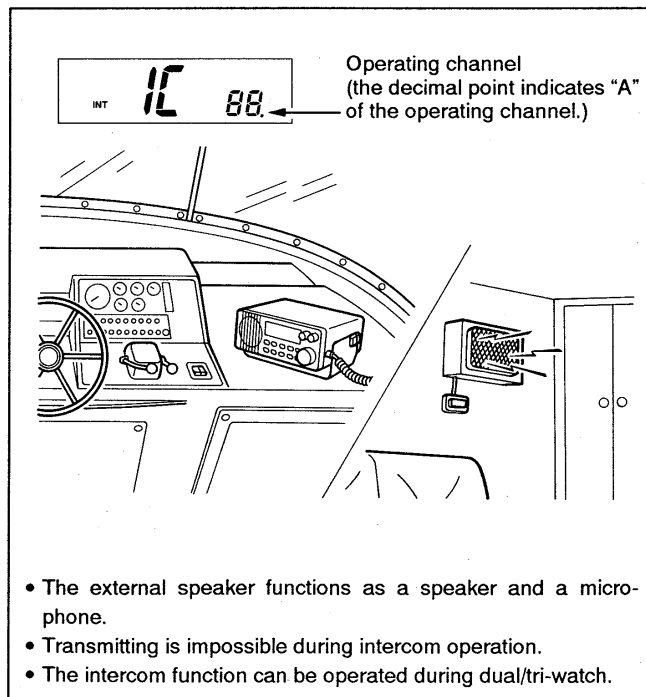
- ① Connect an external speaker as illustrated on p. 33.
- ② When you need to have more power (up to 30 W), connect an optional UA-1 AUDIO AMPLIFIER. (p. 34)
 - In this case, an optional UX-95 RELAY INTERFACE UNIT must be installed to control the UA-1 power synchronized with transceiver's power.

• OPERATION

- ① Turn the transceiver and UA-1 (when connected) powers ON.
- ② Push [HL/IC] once or twice.
 - "HL" appears.
- ③ Push and hold the PTT switch on the microphone and speak at a normal voice level into the microphone.
 - The S/Rf indicator shows the hailer output level. To adjust the level, rotate the channel selector while [PTT] is pushed.
- ⑤ After releasing the PTT switch you can hear the response through the hailer speaker.
- ⑥ Push any channel group switch ([WX], [MR], [USA/INT], [CALL], [EMER], [CH16]) to cancel the hailer function.

■ Intercom operation

The intercom function allows you to talk to the deck from the cabin. When you do not require the hailer function, you can use 2 separate intercoms.



• PREPARATION

Connect an external speaker and an intercom switch as illustrated on p. 34.

• OPERATION FROM THE TRANSCEIVER

- ① Turn power ON.
- ② Push [HL/IC] once or twice.
 - "IC" appears.
- ③ Push and hold the PTT switch on the microphone and speak at a normal voice level into the microphone.
 - The S/RF indicator shows the intercom output level. To adjust the level, rotate the channel selector while [PTT] is pushed.
 - To adjust the IC-M126DSC's internal speaker output level, rotate [VOLUME].
- ④ Release the PTT switch to hear a response through the intercom speaker.
 - The S/RF indicator disappears.
- ⑥ Push any channel group switch ([WX], [MR], [USA/INT], [CALL], [EMER], [CH16]) to cancel the intercom function.
 - "IC" disappears.

• OPERATION FROM THE INTERCOM SPEAKER

- ① Push and hold the intercom switch and speak into the speaker.
- ② Keep pushing the intercom switch to receive an answer.
- ③ Release the intercom switch to return the IC-M126DSC to cabin control of the intercom function.

NOTE: While the intercom switch is pushed, "IC" is indicated in the IC-M126DSC's function display and only the intercom function can be used with the IC-M126DSC.

• OPERATION WITH 2 SEPARATE INTERCOMS

When you connect two intercom switches and two intercom speakers to the IC-M126DSC, you can talk to two separate places such as the deck and the fly bridge.

Connect switches and speakers as illustrated on p. 34 before operating with 2 speakers.

TO OUTPUT FROM INTERCOM-1 SPEAKER

- ① Push [HL/IC] once or twice to turn the intercom ON.
- ② Push and hold the PTT switch and speak into the mic.

TO OUTPUT FROM INTERCOM-2 SPEAKER

- ① Push [HL/IC] once or twice to turn the hailer ON.
- ② Push and hold the PTT switch and speak into the mic.

WHEN SPEAKING FROM THE INTERCOM SPEAKERS

Push and hold intercom switch 1 or 2, then speak into the speaker as described at left.

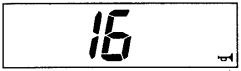

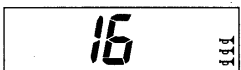
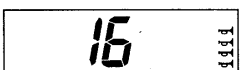
NOTE: The hailer function CANNOT be used when you connect the two intercom speakers.

7 OTHER FUNCTIONS

■ Automatic fog horn

The automatic fog horn function sounds a horn repeatedly until the function is turned OFF. 4 horn patterns can be selected depending on your needs.

The fog horn outputs from the hailer speaker. To use this function, the hailer speaker must be connected to the transceiver. See pgs. 33 and 34 for connection details.

TYPE	DISPLAY	PATTERN	USAGE
1		One 5-second blast every 100 seconds.	Motor vessel under way.
2		Two 5-second blasts every 100 seconds.	Motor vessel at anchor.
3		One 5-second blast followed by two 1-second blasts every 100 seconds.	Sailboat or fishing boat under way.
4		One 5-second blast followed by three 1-second blasts every 100 seconds.	Vessel under tow.

▨ The audio frequency of the fog horn is selectable. See p. 30 for details on selecting the audio frequency.

• TURNING AUTO FOG HORN ON AND OFF

- ① Push [F].
 - "F" appears.
- ② Push [HL/IC•A.FOG].
 - One or more "H" appear depending on the fog horn pattern.
- ③ To cancel the function, repeat steps ① and ②.

• SELECTING A FOG HORN PATTERN

- ① Push [F].
 - "F" appears.
- ② While pushing [HL/IC•A.FOG], rotate the channel selector to select the desired fog horn pattern.
 - The number of "H" shows the selected fog horn pattern.
- ③ Release [HL/IC•A.FOG].

■ Internal speaker ON/OFF

When you connect an external speaker and the IC-M126DSC's internal speaker is not required, the internal speaker can be deactivated. The internal speaker is turned ON and OFF in SET mode. For details see p. 29.

■ Backlight intensity

The backlight can be turned ON and OFF, and the intensity can be selected from 3 levels.

• TURNING OFF THE BACKLIGHTING

- ① Push [F].
 - "F" appears.
- ② Push [CALL•DIMMER] to turn the backlighting OFF.
- ③ To turn the backlighting ON again, repeat steps ① and ②.

• ADJUSTING THE BACKLIGHT INTENSITY LEVEL

- ① Push [F].
 - "F" appears.
- ② While pushing [CALL•DIMMER], rotate the channel selector to select the desired level of backlight intensity.
- ③ Release [CALL•DIMMER].

■ Entering SET mode

SET mode is used to customize operation of the transceiver to suit your operating needs.

◇ To enter SET mode:

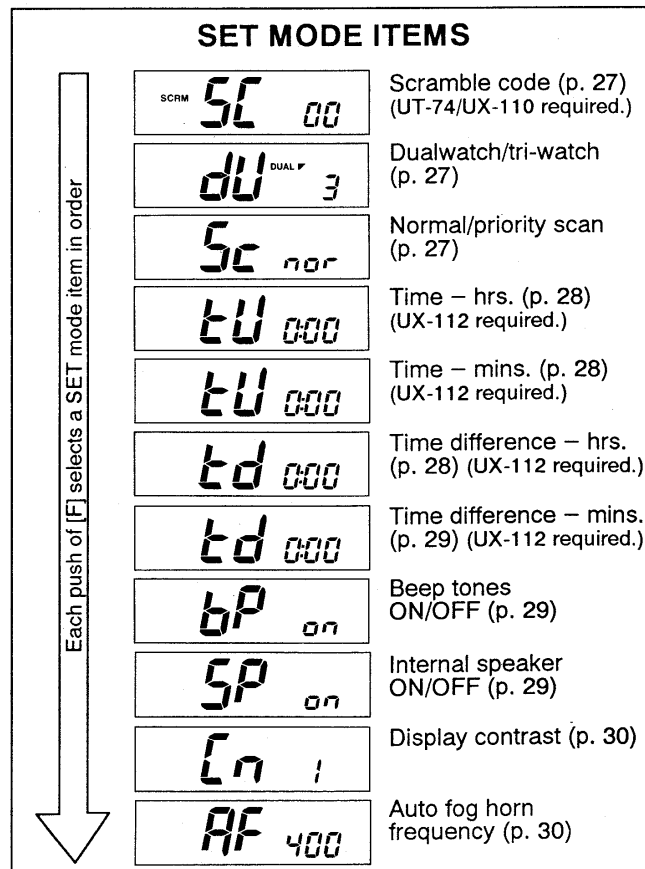
- ① While pushing [F], turn power ON.
 - Keep pushing [F] until the initial SET mode display appears.
 - SET mode is selected.
- ② To exit SET mode, push [16] or turn power OFF, then ON again.

◇ To select an item:

There are up to 11 items in SET mode (depending on options installed) that may be adjusted to suit your operating needs.

- ① Enter SET mode as above.
- ② Push [F] to select the desired item; then rotate [CHANNEL] to select the desired condition.
 - See the following pages for details on each SET mode item.

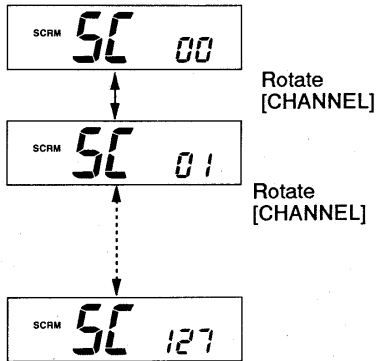
▨ The diagram at right shows the default settings for each SET mode item and the order of selection.



◇ SCRAMBLE CODE

When an optional voice scrambler unit is installed, the scramble code item appears as the last selectable item in SET mode. When communicating using the voice scrambler function, remember that all members of your group must have the scrambler function ON, and the same scramble code set.

- 128 codes are available with UT-74 and 16 codes are available with SC-20-450 plus UX-110.



◇ DUAL/TRI-WATCH

Depending on your preference, you can select dualwatch or tri-watch. When dualwatch is selected, [DUAL] activates dualwatch; when tri-watch is selected, [DUAL] activates tri-watch. See p. 13 for details.

Tri-watch (default)



Rotate [CHANNEL]



Dualwatch

◇ PRIORITY/NORMAL SCAN

Depending on your preference, you can select scanning to function as a normal scan or as a priority scan. See p. 10 for the differences between priority and normal scans.

Normal scan (default)



Rotate [CHANNEL]

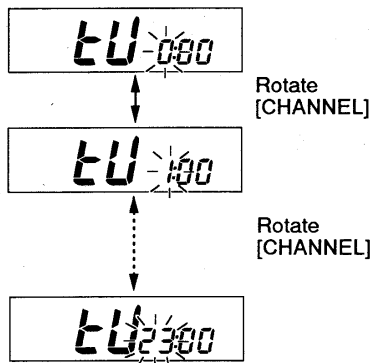


Priority scan

8 SET MODE

◇ UTC TIME (HRS.)

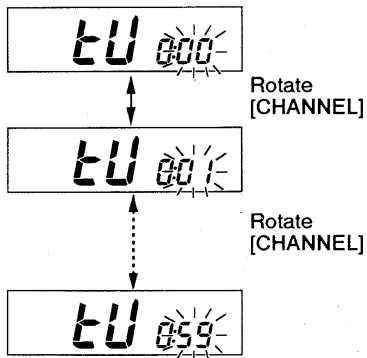
When an optional UX-112 unit is installed, the IC-M126DSC transmits the time when a DSC distress call is made. Set the time in UTC (Universal Time Coordinated – previously called Greenwich Meantime). Refer to marine charts or ask your local Icom Dealer for the UTC in your area. Local time appears on the function display when [EMER] is pushed or when channel 16 mode is selected.



◇ UTC TIME (MINS.)

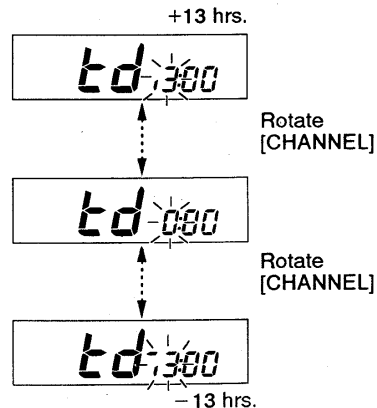
After setting the hours (previous box), set the minutes.

- Pushing [MR], sets the minutes to "0"



◇ TIME DIFFERENCE (FROM UTC – HRS.)

The time that is sent along with your DSC distress call is in UTC. Since the time appearing on the function display is local time, the transceiver must convert UTC time to local time for display purposes.

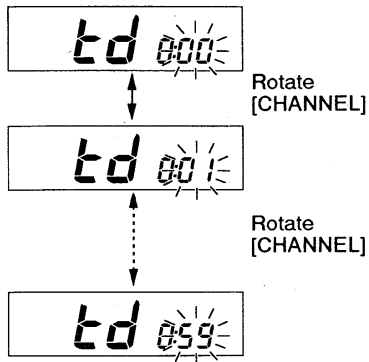


NOTE: If no value is assigned to the time difference, the time appearing on the function display is in UTC.

◇ TIME DIFFERENCE

(FROM UTC - MINS.)

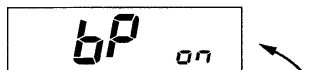
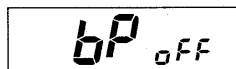
After setting the time difference from UTC in hours, it may be necessary in some areas to set the time difference in minutes also.



◇ BEEP TONES ON/OFF

Beep tones provide convenient audible confirmation when switches are pushed. However, if you wish to turn the beep tones off, you can do so in SET mode as follows

Beep tones ON (default)

Rotate
[CHANNEL]

Beep tones OFF

NOTE: DSC alert tones and the WX alert tone CANNOT be turned OFF.

◇ INTERNAL SPEAKER ON/OFF

When you select an external speaker and the IC-M126DSC's internal speaker is not required, the internal speaker can be deactivated.

Speaker ON (default)

Rotate
[CHANNEL]

Speaker OFF

NOTE: DSC alert tones and the WX alert tone CANNOT be turned OFF.

8 SET MODE

◇ FUNCTION DISPLAY CONTRAST

For maximum readability in varying ambient light conditions, the function display's contrast is adjustable.

Lowest contrast (default)

[Fn 1]

Rotate
[CHANNEL]

[Fn 2]

Rotate
[CHANNEL]

[Fn 3]

Highest contrast

◇ AUTO FOG HORN FREQUENCY

The audio frequency of the auto fog horn can be adjusted to suit your preference. Experiment with the frequencies available until you find one you like.

- The fog horn outputs from the hailer speaker while [PTT] is pushed.

200 Hz

AF 200

Rotate [CHANNEL]

250 Hz

AF 250

Rotate [CHANNEL]

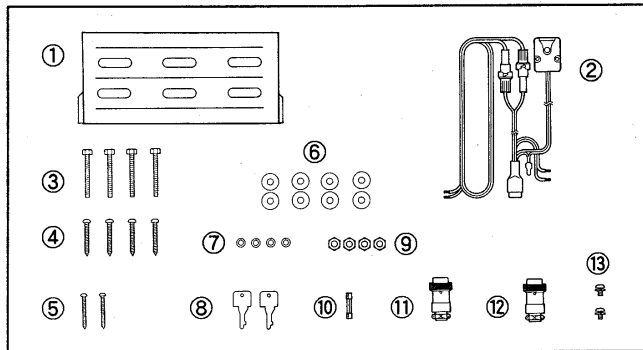
50 Hz
steps

AF 850

850 Hz

■ Unpacking

① Mounting bracket	1
② DC power cable with microphone hanger*	1
③ Mounting bolts (M6 x 50)	4
④ Mounting screws (A0 6 x 30)	4
⑤ Microphone hanger screws (A0 3.5 x 30)	2
⑥ Flat washers (M6)	8
⑦ Spring washers (M6)	4
⑧ Mounting bracket keys	2
⑨ Nuts (M6)	4
⑩ Fuse (10 A)	1
⑪ ACC connector plug (8-pin).....	1
⑫ ACC connector plug (7-pin).....	1
⑬ Screws for scrambler unit installation (M3 x 6)	2



■ Additional requirements

◇ FOR GENERAL OPERATION

- Marine VHF antenna
- Coaxial cable

◇ FOR ENHANCED DSC OPERATION

- Navigation receiver with NMEA0183 output (such as Loran-C or GPS) for sending positioning data with a distress call
- UX-112 DSC DECODER UNIT for the function described on p. 14
- One or more external alarm devices to alert you when you are away from the transceiver
- One or more sensors for sensor distress calls

◇ FOR HAILER OPERATION

- External speaker
- UA-1 AUDIO AMPLIFIER and UX-95 RELAY INTERFACE UNIT if you require 30 W of output power

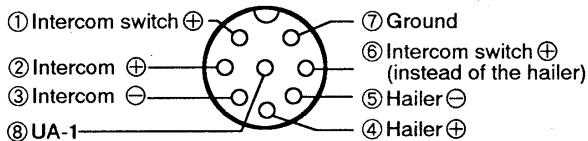
◇ FOR INTERCOM OPERATION

- External speaker
- Non-locking switch for intercom operation

Connections

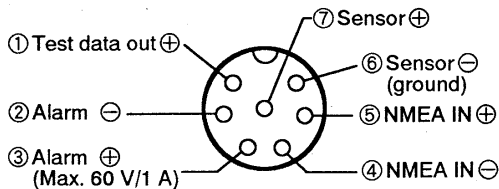
1 HAILER/INTERCOM CONNECTOR

8-pin plug connects speaker and switches for the hailer, intercom and fog horn functions. With an optional UA-1 AUDIO AMPLIFIER, 30 W output is possible from the speaker for the hailer or fog horn function.



2 DSC CONNECTOR

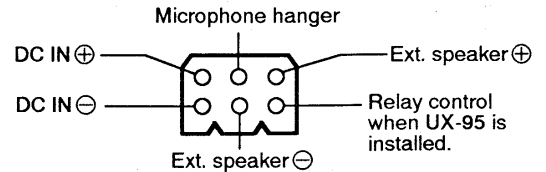
7-pin plug connects a navigation receiver for transmission of position data, sensor(s) for the sensor distress call and/or emergency alarm device(s).



3 DC POWER CONNECTOR

Connects the supplied DC power cable from this connector to an external 12 V DC power source.

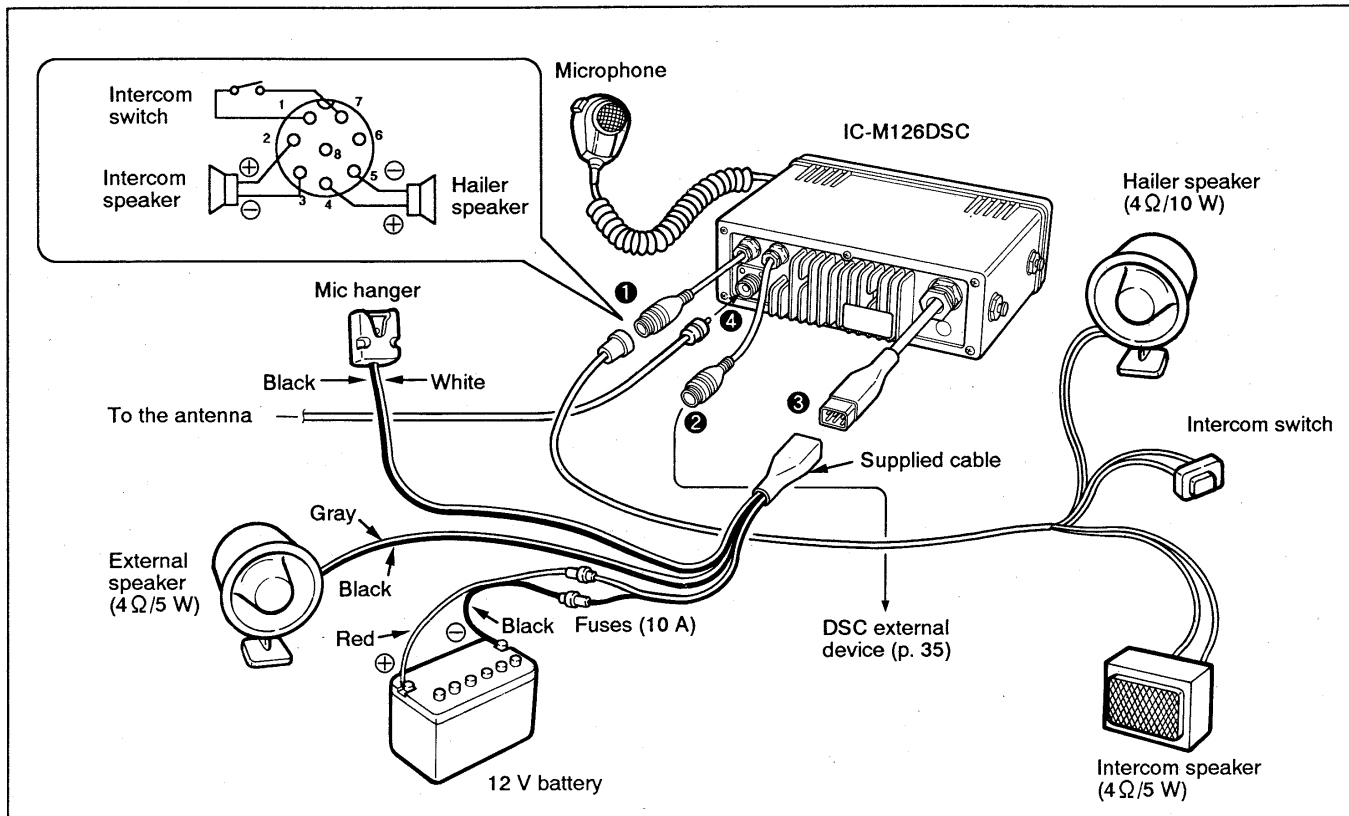
The mic hanger and external speaker outputs are also included in this connector.



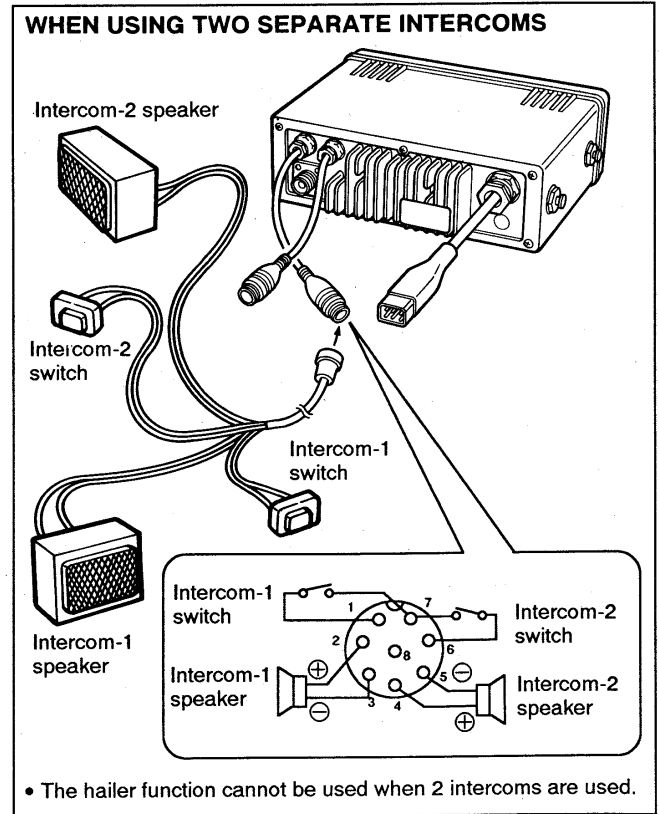
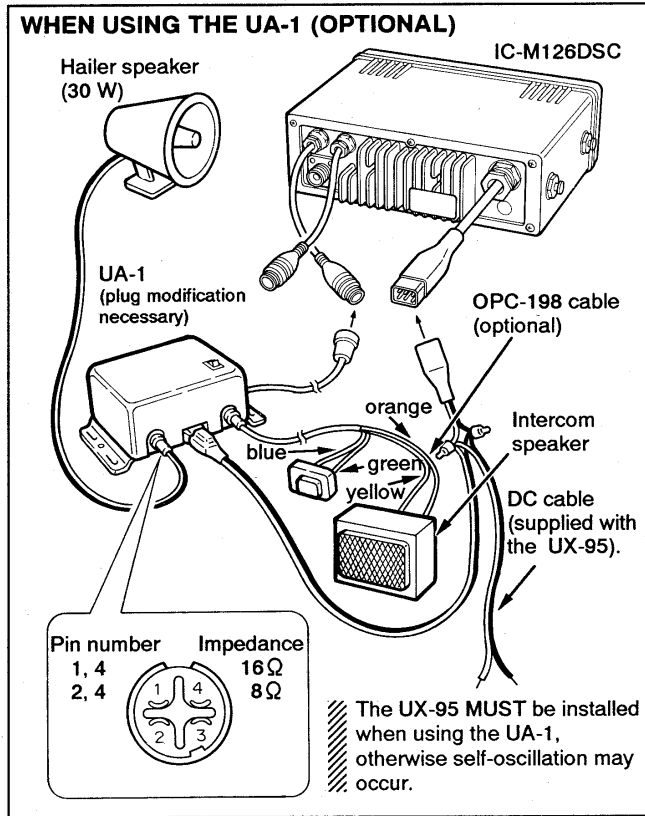
4 ANTENNA CONNECTOR

Connects a marine VHF antenna with a PL-259 connector to the transceiver.

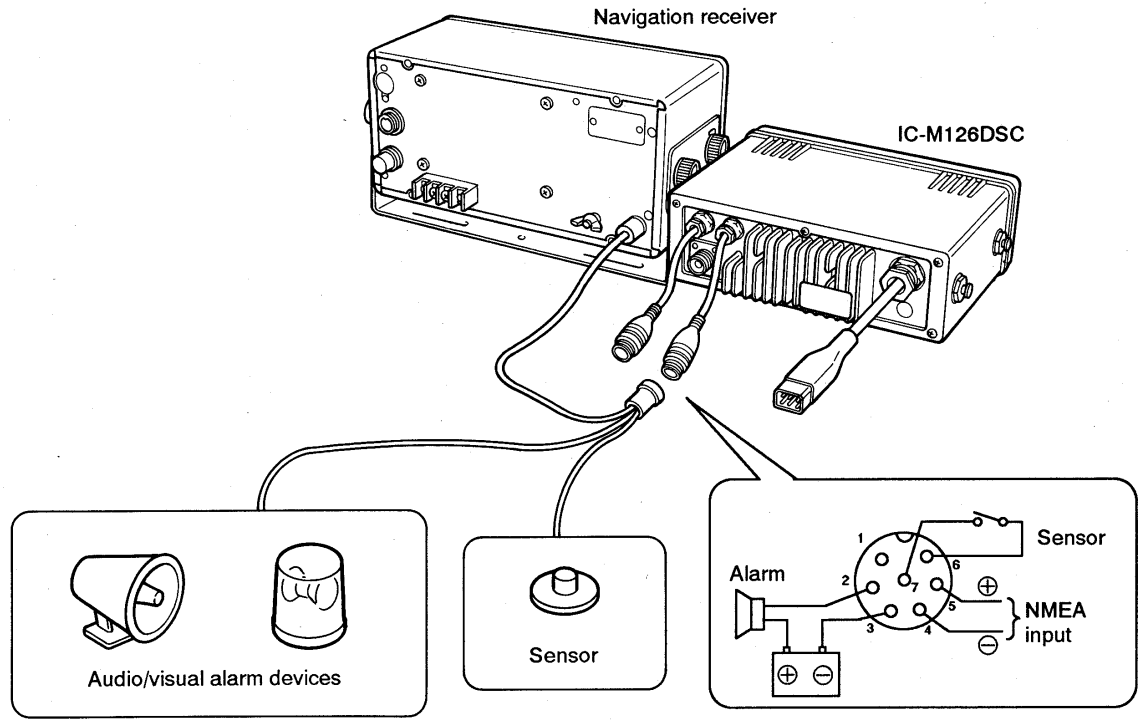
CAUTION: Transmitting without an antenna will damage the transceiver.



9 CONNECTIONS AND MAINTENANCE



CONNECTIONS FOR ENHANCING DSC FUNCTIONS



9 CONNECTIONS AND MAINTENANCE

■ Mounting the transceiver

The universal mounting bracket supplied with your transceiver allows overhead or dashboard mounting. Please read the following instructions carefully.

- Mount the transceiver securely with bolts and nuts or it may come loose as a result of wave shocks or vibration.
- Mount the transceiver so that the face of the transceiver is at 90 degrees to your line of sight when operating it.

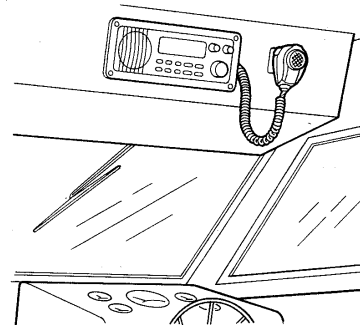
CAUTION: KEEP the transceiver and microphone at least 1 meter away from your vessel's magnetic navigation compass.

NOTE: Check the installation angle; the function display may not be easy-to-read at some angles.

■ Antenna

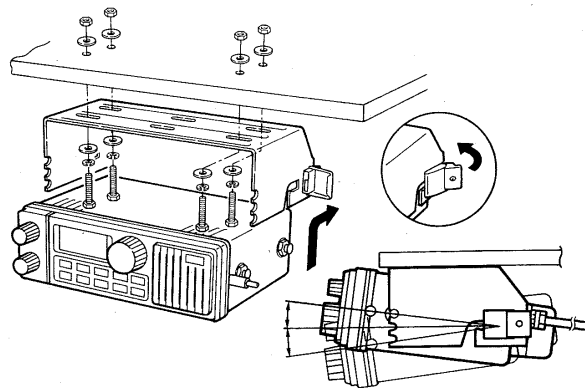
One of the most important items that influences the performance of any communication system is an antenna. Ask your dealer about antennas and the best places to mount them.

DASHBOARD MOUNTING



An optional MB-33 is available for mounting the transceiver as above.

OVERHEAD MOUNTING



■ Resetting the CPU

If the function display occasionally displays erroneous information when the power is turned ON or while operating, reset the CPU.

CAUTION: After resetting the CPU, all information you have programmed into memories is erased.

- ① Turn power OFF.
- ② Push and hold [F] and [CH16] until step ④.
- ③ Turn power ON .
 - The function display shows all characters for a second.
- ④ Release [F] and [CH16].
 - Now the CPU is reset completely.

■ Cleaning

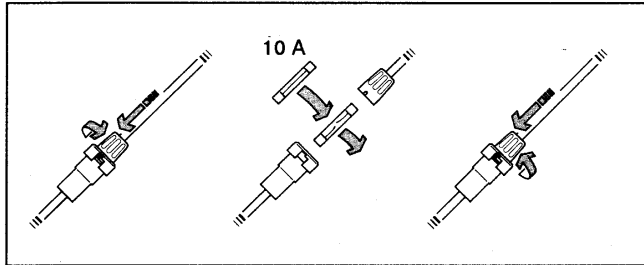
If the transceiver becomes dusty or dirty, wipe it clean with a dry, soft cloth.

AVOID the use of solvents such as benzene or alcohol, as they may damage transceiver surfaces.

■ Fuse replacement

Two fuses are installed in the supplied DC power cable. If a fuse blows or the transceiver stops functioning, track down the source of the problem, if possible, and replace the damaged fuse with a new, rated fuse.

- Fuse rating : 10 A

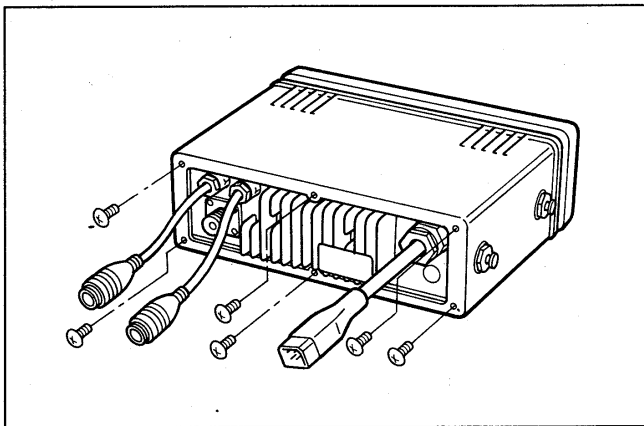


■ Backup battery

The IC-M126DSC has no backup battery. Memory channel contents, etc. are maintained by EEPROM. The normal life of this EEPROM is over 100 years and therefore should never need replacing. If you have reason to believe the EEPROM may be faulty, have a qualified Icom Dealer or Service Technician look at it. However, the optional UX-112 has a backup battery to maintain the time.

10 OPTIONAL UNIT INSTALLATIONS

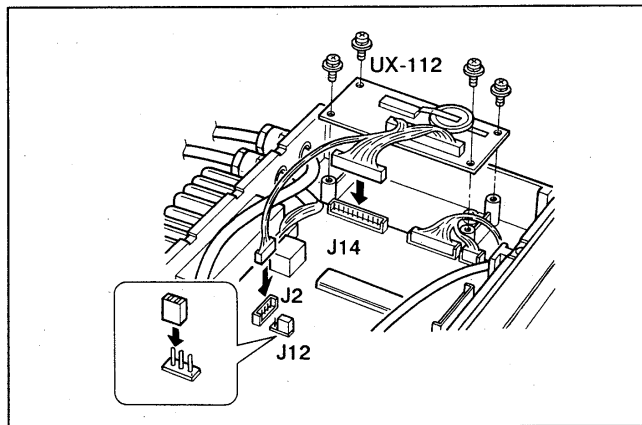
■ Removing/replacing the case



◇ TO REMOVE THE CASE:

- ① Turn the transceiver power OFF and disconnect the DC power connector.
- ② Remove the 6 screws located on the rear panel as shown in the diagram above; then, slide the case free of the transceiver.
- ③ Replace the transceiver case; then, replace the 6 screws on the rear panel when you are finished.
 - 10 to 12 kg of torque MUST be applied to insure water resistance.

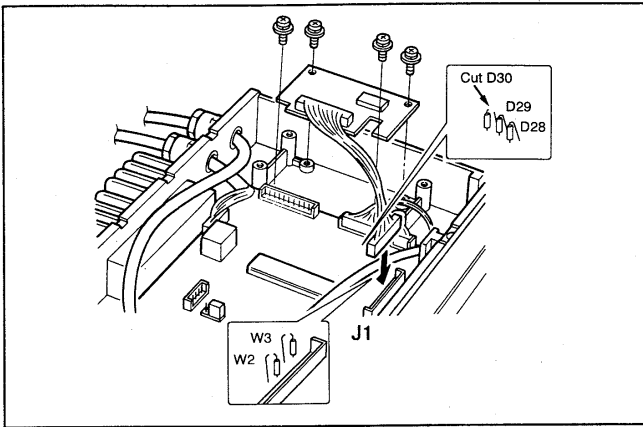
■ UX-112 (DSC DECODER UNIT)



◇ TO INSTALL THE UX-112:

- ① Remove the transceiver case as at left.
- ② Install the UX-112 as shown above.
- ③ Connect the 11-pin and 5-pin plugs to J14 and J2, respectively.
 - When installing both the UX-112 and UT-74 (or UX-110), the UT-74 (or UX-110) should be installed under the UX-112.
- ④ Change the jumper connector positions of J12 to the 2 pins on the rear side as shown above.
- ⑤ Replace the case with the 6 screws as at left.

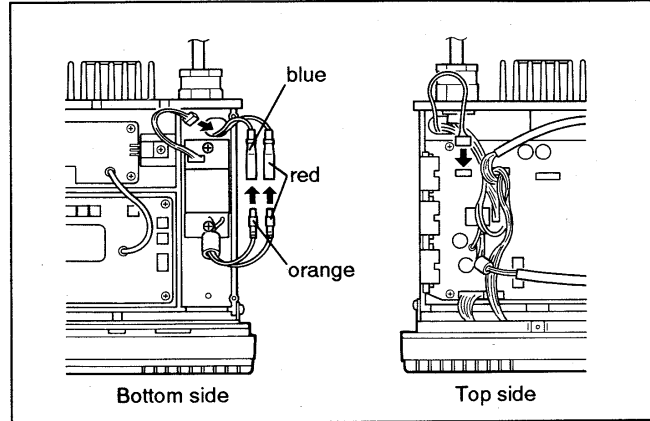
■ **UT-74/UX-110** (VOICE SCRAMBLER UNITS)



◇ **TO INSTALL THE UT-74/UX-110:**

- ① Remove the transceiver case as shown on the previous page.
- ② Install the UT-74/UX-110 with the 4 screws (2 screws supplied with the unit and 2 screws with the transceiver), then plug the connector from the UT-74/UX-110 into J1 as shown above.
- ③ Cut off the jumper leads of W2 and W3, then cut the diode, D30.
- ④ Replace the transceiver case.

■ **UX-95** (RELAY INTERFACE UNIT)



◇ **TO INSTALL THE UX-95:**

- ① Remove the transceiver case as shown on the previous page.
- ② Install the UX-95 on the bottom side of the IC-M126DSC as shown above.
- ③ Connect the red and orange cables.
- ④ Pass the 3-pin connector through an opening in the right/rear of the transceiver to the MAIN UNIT location (top side) as shown above.
- ⑤ Replace the transceiver case.

11 TROUBLESHOOTING

PROBLEM	POSSIBLE CAUSE	SOLUTION	REF.
No power comes ON.	<ul style="list-style-type: none"> • Power cord has been connected incorrectly. • Blown fuse. 	<ul style="list-style-type: none"> • Check the power cord connection. • Check the polarity of the power connection, then, replace the fuse. 	p. 33 p. 37
No sound comes from the speaker.	<ul style="list-style-type: none"> • The hailer or intercom function is activated. • Speaker-off is selected in SET mode. • Handset is out of the cradle (when an optional handset is used). 	<ul style="list-style-type: none"> • Push [INT/USA] to turn the function OFF. • Select speaker-on in SET mode. • Set the handset into the cradle. 	p. 21 — p. 29
Sensitivity is low and only strong signals are audible.	<ul style="list-style-type: none"> • [SQUELCH] is rotated too far clockwise. 	<ul style="list-style-type: none"> • Rotate [SQUELCH] counterclockwise to a suitable position. 	—
Transmitting is impossible, or high power cannot be selected.	<ul style="list-style-type: none"> • Transmission is restricted on some channels. • The transceiver is in hailer or intercom operation. 	<ul style="list-style-type: none"> • Change channels. • Turn the function OFF. 	p. 41 p. 21
The displayed channel cannot be changed.	<ul style="list-style-type: none"> • The channel 16 mode has been selected. • The emergency channel 70 mode has been selected. • Dual/tri-watch has been activated. • Scan has been activated. 	<ul style="list-style-type: none"> • Select another mode. • Select another mode. • Push [DUAL] to cancel dual/tri-watch. • Push [F] 2 times to cancel the scan. 	p. 6 p. 6 p. 13 p. 11
The memory number cannot be changed.	<ul style="list-style-type: none"> • Other memories have not been programmed. 	<ul style="list-style-type: none"> • Program at least 2 memories. 	p. 20
Scanning or dualwatch/tri-watch does not function.	<ul style="list-style-type: none"> • The channel 16 mode has been selected. • The squelch is open. 	<ul style="list-style-type: none"> • Select another mode. • Rotate [SQUELCH] clockwise. 	p. 6 p. 8
Scan does not pause on weather channels	<ul style="list-style-type: none"> • The weather alert function has been turned ON. 	<ul style="list-style-type: none"> • Turn the function OFF. 	p. 12
Receive signal cannot be understood.	<ul style="list-style-type: none"> • Voice scrambler has been turned OFF. • Voice scrambler code has not been set correctly. 	<ul style="list-style-type: none"> • Push [F] + [INT/USA•SCRM] to turn it ON. • Reset the scramble code in SET mode. 	p. 8 p. 27

VHF MARINE CHANNEL LIST 12

Channel number		Frequency (MHz)	
INT	USA	Trans-cieve	Receive
01		156.050	160.650
01A	01A	156.050	156.050
02		156.100	160.700
02A	02A	156.100	156.100
03		156.150	160.750
03A	03A	156.150	156.150
04		156.200	160.800
04A	04A	156.200	156.200
05		156.250	160.850
05A	05A	156.250	156.250
06	06	156.300	156.300
07		156.350	160.950
07A	07A	156.350	156.350
08	08	156.400	156.400
09	09	156.450	156.450
10	10	156.500	156.500
11	11	156.550	156.550
12	12	156.600	156.600
13	13 *3	156.650	156.650
14	14	156.700	156.700
15 *1	15 *2	156.750	156.750
16	16	156.800	156.800
17 *1	17 *1	156.850	156.850
18		156.900	161.500
18A	18A	156.900	156.900

Channel number		Frequency (MHz)	
INT	USA	Trans-cieve	Receive
19		156.950	161.550
19A	19A	156.950	156.950
20	20	157.000	161.600
20A	20A	157.000	157.000
21		157.050	161.650
21A	21A	157.050	157.050
22		157.100	161.700
22A	22A	157.100	157.100
23		157.150	161.750
23A	23A	157.150	157.150
24	24	157.200	161.800
25	25	157.250	161.850
26	26	157.300	161.900
27	27	157.350	161.950
28	28	157.400	162.000
60		156.025	160.625
60A	60A	156.025	156.025
61		156.075	160.675
61A	61A	156.075	156.075
62		156.125	160.725
62A	62A	156.125	156.125
63		156.175	160.775
63A	63A	156.175	156.175
64		156.225	160.825
64A	64A	156.225	156.225

Channel number		Frequency (MHz)	
INT	USA	Trans-cieve	Receive
65		156.275	160.875
65A	65A	156.275	156.275
66		156.325	160.925
66A	66A	156.325	156.325
67	67 *3	156.375	156.375
68	68	156.425	156.425
69	69	156.475	156.475
70 *1	70 *1	156.525	156.525
71	71	156.575	156.575
72	72	156.625	156.625
73	73	156.675	156.675
74	74	156.725	156.725
75	75	Guard	Guard
76	76	Guard	Guard
77	77	156.875	156.875
78		156.925	161.525
78A	78A	156.925	156.925
79		156.975	161.575
79A	79A	156.975	156.975
80		157.025	161.625
80A	80A	157.025	157.025
81		157.075	161.675
81A	81A	157.075	157.075
82		157.125	161.725
82A	82A	157.125	157.125

Channel number		Frequency (MHz)	
INT	USA	Trans-cieve	Receive
83		157.175	161.775
83A	83A	157.175	157.175
84	84	157.225	161.825
84A		157.225	157.225
85	85	157.275	161.875
85A		157.275	157.275
86	86	157.325	161.925
86A	86A	157.325	157.325
87	87	157.375	161.975
87A		157.375	157.375
88	88	157.425	162.025
88A	88A	157.425	157.425
WX channel		Frequency (MHz)	
		Transmit	Receive
01		RX only	162.550
02		RX only	162.400
03		RX only	162.475
04		RX only	162.425
05		RX only	162.450
06		RX only	162.500
07		RX only	162.525
08		RX only	161.650
09		RX only	161.775
10		RX only	163.275

*1 Low power only *2 Transmit is inhibited *3 Momentary high power.

13 SPECIFICATIONS

GENERAL

- Frequency coverage : Transmit 156.025–157.425 MHz
Receive 156.025–163.275 MHz
- Mode : 16K0G3E, 16K0G2B
- Number of memory channels : 25 (24 regular memories and 1 call channel)
- Power supply requirement : 13.8 V DC \pm 15%
- Current drain (at 13.8 V DC) : Transmit,
high power 6.3 A
low power 1.7 A
Receive,
standby 400 mA
max. audio output 1.5 A
- Frequency stability : \pm 0.0005%
- Usable temperature range : -20°C to $+60^{\circ}\text{C}$; -4°F to $+140^{\circ}\text{F}$
- Dimensions : 228(W) \times 78(H) \times 192(D) mm;
9.0(W) \times 3.1(H) \times 7.6(D) in
(projections not included)
- Weight : 2.4 kg/5.3 lb

TRANSMITTER

- Output power : High 25 W Low 1 W
- Modulation system : Variable reactance phase modulation
- Max. frequency deviation : \pm 5 kHz
- Spurious emissions : Less than -70 dB
- Microphone impedance : 600 Ω

RECEIVER

- Receive system : Double-conversion superheterodyne
- Intermediate frequencies : 1st 21.8 MHz 2nd 455 kHz
- Sensitivity : 0.3 μV for 12 dB SINAD
- Squelch sensitivity : 0.3 μV at threshold
- Adjacent channel selectivity : -70 dB
- Spurious response rejection : -70 dB
- Intermodulation rejection : -70 dB
- Audio output power : 5 W with a 4 Ω load
(10W for the hailer function)
- Audio output impedance : 4 Ω

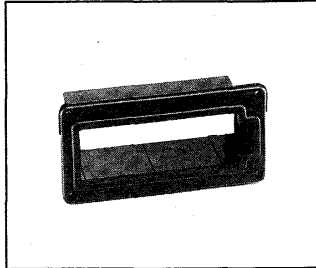
All stated specifications are subject to change without notice or obligation.



IC-HS2 HANDSET KIT*¹
IC-HS3 HANDSET KIT*²

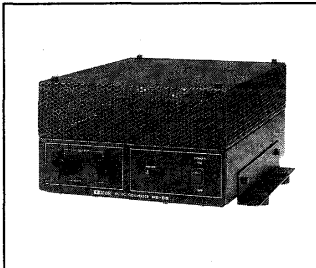
*¹Black

*²White



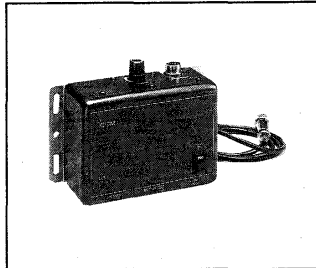
MB-33 FLUSH MOUNT

For mounting the IC-M126DSC to a panel. Available in black or white.



PS-66
DC-DC CONVERTER

Input voltage: 19 to 32 V DC
 Output voltage: 13.6 V DC



UA-1 AUDIO AMPLIFIER

Boosts hailer output to 30 W. Can be used separately as a paging amplifier.

◇ INTERNAL UNITS

- **UT-74 VOICE SCRAMBLER UNIT**

Provides private communications. Analog-type voice scrambling unit with 128 scramble codes available.

- **UX-110 VOICE SCRAMBLER INTERFACE BOARD**

Interface board to install a digital voice scrambler unit (SC-20-450*). 16 highly confidential scramble codes are available with the SC-20-450*.

*SC-20-450 is not available from Icom.

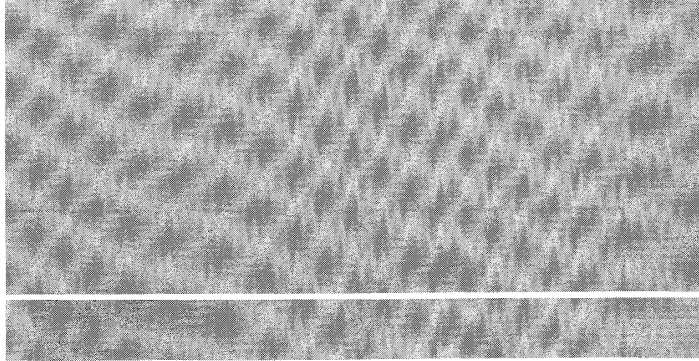
- **UX-95 RELAY INTERFACE UNIT**

Remotely controls the UA-1 power switch.

- **UX-112 DECODER UNIT**

Enhances the DSC capability of the IC-M126DSC. When the UX-112 is installed, the transceiver conforms to U.S. Coast Guard proposal SC-101 for marine digital communications.

Count on us!



A-5274S-1US
Printed in Japan
Copyright © 1993 by Icom Inc.



Icom Inc.
6-9-16, Kamihigashi, Hirano-ku, Osaka 547, Japan